

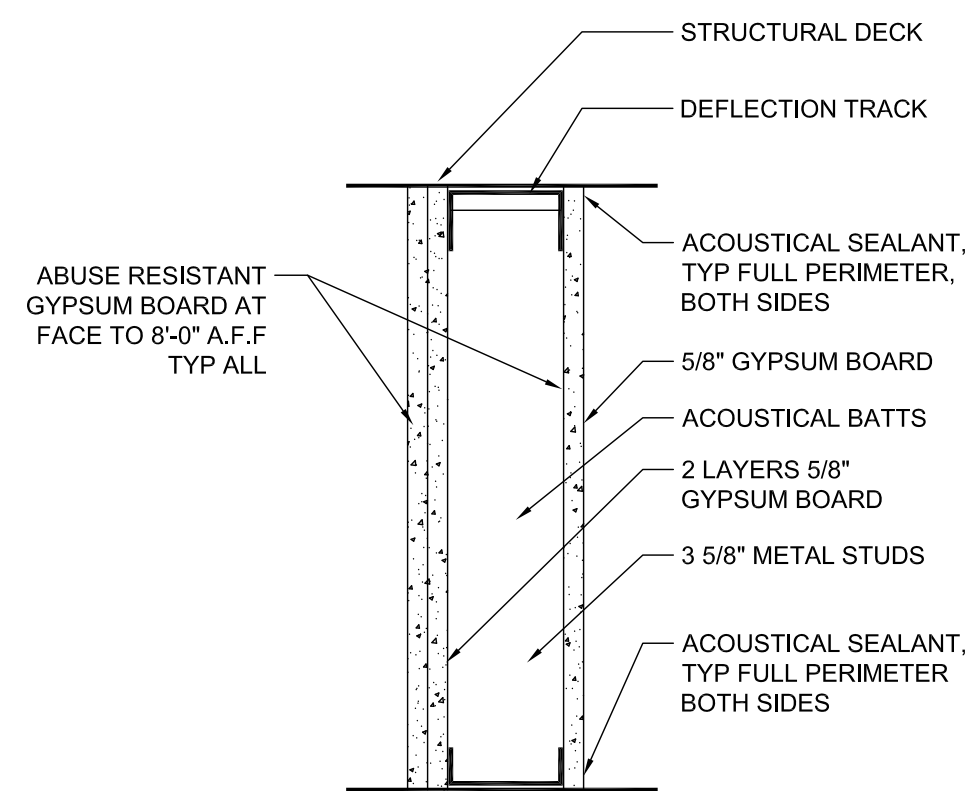
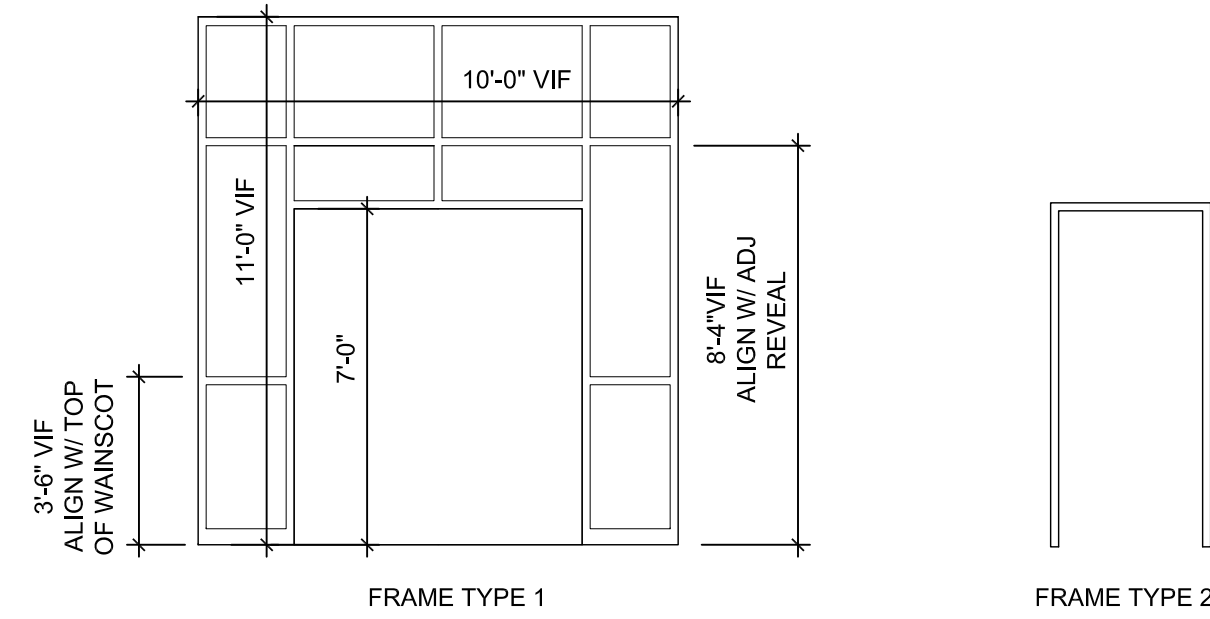
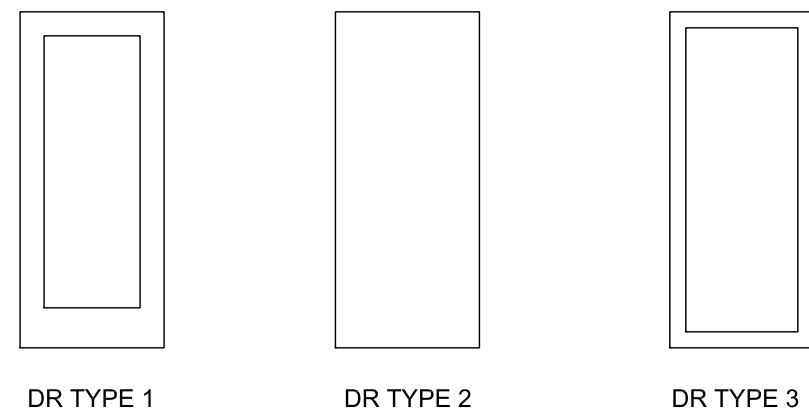
DOOR AND FRAME SCHEDULE

NUMBER	NO. OF PANELS	DOOR			MATERIAL	TYPE	FRAME		FIRE RATING	CLOSER	PANIC HARDWARE	COMMENTS
		WIDTH	HEIGHT	THICKNESS			MATERIAL	TYPE				
1	2	72"	84"	1 3/4"	WD *	1	HM	1	0 HR	—	—	* TRANSPERANT FINISH WOOD, COLOR SPECIES & GRAIN TO MATCH ETR WD PANELING
2	1	36"	84"	1 3/4"	WD *	2	HM	2	0 HR	—	—	* TRANSPERANT FINISH WOOD, COLOR SPECIES & GRAIN TO MATCH ETR WD PANELING
3	1	38"	9'-11"	**	ALUM *	3	ALUM **	**	0 HR	—	—	** NANAWALL 645 STANDARD DETAILS
4	ETR	ETR	ETR	ETR	ETR	ETR	ETR	ETR	0 HR	—	—	RELOCATED ACCESS CONTROL FROM DEMO STAFF LOUNGE DOOR- "BY OTHERS" - DOOR TO REMAIN OPERABLE FROM EGRESS SIDE WITHOUT KEY AND TO HAVE FAIL SAFE OPERATION
5	ETR	ETR	ETR	ETR	ETR	ETR	ETR	ETR	0 HR	—	—	EXISTING DOOR, FRAME, AND HINGES TO REMAIN NEW LATCHSET TO MATCH EXISTING IN TYPE, MANUFACTURER, HANDLE AND TRIM, BUT WITH "CLASSROOM" FUNCTION RATHER THAN "STORAGE" FUNCTION OF EXISTING TO BE REMOVED

FINISH SCHEDULE							
ROOM NUMBER	ROOM NAME	WALLS	WAINSCOT/ CHAIRRAIL	BASE	CEILING	FLOOR	COMMENTS
205A	CLASS ROOM	PAINT P-1	NA	PTD WD **	ETR *****	ETR- REFINISHED **	**CUSTOM WD BASE AND SHOE TO MATCH ETR ADJACENT *****INFILL AT PERIMETER FROM OWNER ATTIC STOCK OR NEW TO MATCH ** FLOOR REFINISH- LIGHT SANDING/ DISKING W/ BONA FINISH, DO NOT FULL SAND, EPOXY PATCH ANY DAMAGE - PROVIDE ALTERNATE PRICE FOR NEW STRIP WOOD TO MATCH 205B
205B	CLASS ROOM	PAINT P-1	NA	PTD WD **	APC ****	NEW STRIP WD	**** WHITE OAK STRIP SOLID HARDWD FLOORING, 3/4" X 3 1/4", CLEAR/ PRIME GRADE, BONA FINISH TO MATCH EXISTING TO REMAIN PINE STRIP FLOORING ADJACENT, OVER FELT UNDERLAYMENT. PROVIDE TRANSITION THRESHOLD AT DOOR
230	CLASS ROOM	PAINT P-1	NA	VINYL BASE	APC ****	CARPET	**** MATCH EXISTING APC GRID AND PANEL TYPE
231A	LIBRARY	PAINT P-1	WOOD-ETR	NAT FIN WD ***	ETR	ETR	*** CUSTOM NATURAL FINISH WOOD PANELING AND RUNNING TRIM TO MATCH ETR ADJACENT IN PROFILE, COLOR, GRAIN, WD SPECIES, AND FINISH TYPE AND GLOSS
231B	RESOURCE ROOM	PAINT P-1	WOOD-ETR	NAT FIN WD ***	ETR	ETR*****	*** CUSTOM NATURAL FINISH WOOD PANELING AND RUNNING TRIM TO MATCH ETR ADJACENT IN PROFILE, COLOR, GRAIN, WD SPECIES, AND FINISH TYPE AND GLOSS ETR***** USE OWNER ATTIC STOCK CARPET TILE TO INFILL AND REPAIR FLOOR FINISH AS REQUIRED
232	CLASS ROOM	PAINT P-1	PTD WD CR**	VINYL BASE	ETR	ETR & MATCH *****	**CUSTOM WD BASE AND SHOE TO MATCH ETR ADJACENT ***** INFILL AT NEW AREA WITH CARPET TILE FROM OWNER ATTIC STOCK TO MATCH ETR ADJACENT IN CLASSROOM
241	OFFICE	PAINT P-1	NA	ETR	ETR	ETR	
242	STAFF LOUNGE	PAINT P-1	NA	VINYL BASE	ETR*****	LVT	***** INFILL CEILING W/ OWNER ATTIC STOCK OR NEW TO MATCH ***** DEMO FLOOR FINISH, PROVIDE

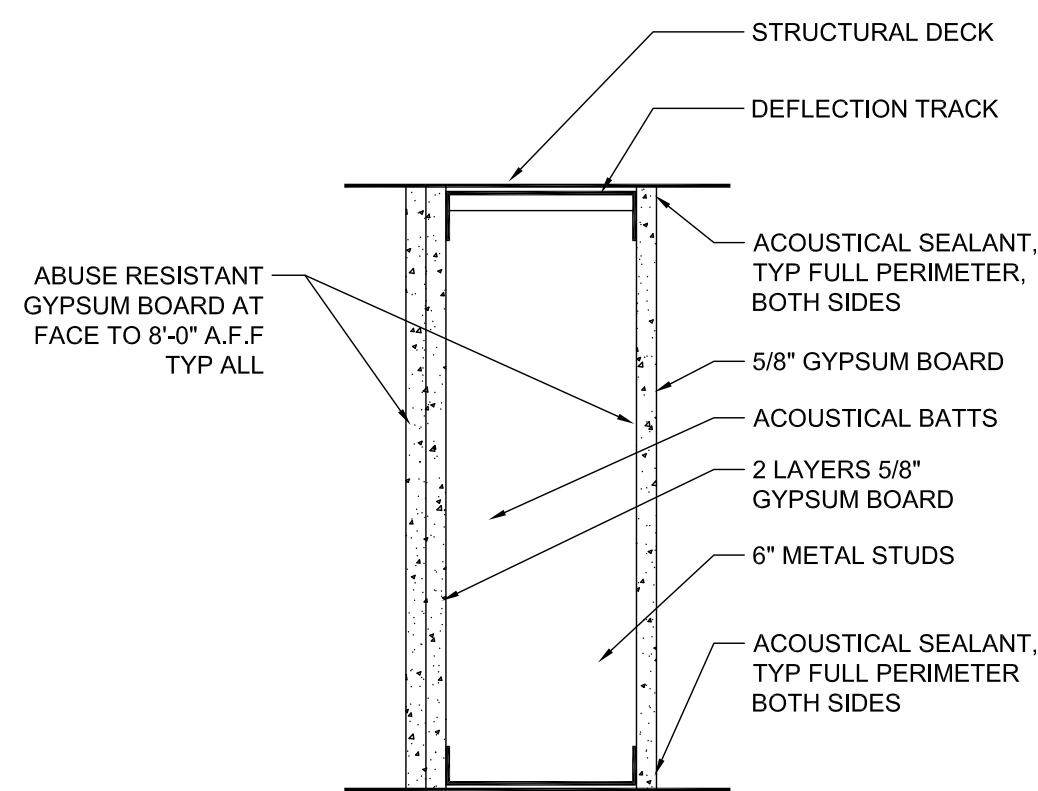
FINISH KEY

ETR	EXISTING TO REMAIN FINISH
PAINT P-1	BEHR PREMIUM PLUS ULTRA, EGGSHELL AT WALL AND SEMIGLOSS AT TRIM, COLOR AS SELECTED BY OWNER
PTD WD CR	PAINTED WOOD CHAIR RAIL, PROFILE TO MATCH EXISTING IN ROOM 232
NAT FIN WD	NATURAL FINISH WOOD PANELING AND RUNNING TRIM AND REVEALS, TO MATCH EXISTING. CONTRACTOR TO MEASURE EXISTING AND SUBMIT SHOP DRAWINGS AND SAMPLES FOR APPROVAL.
VINYL BASE	VINYL BASE: ROPPE VINYL COVE BASE, COLOR AS SELECTED BY OWNER
CARPET	CARPET TILE FROM ATTIC STOCK PROVIDED BY OWNER
LVT	LUXURY VINYL TILE: ARMSTRONG BIOME COLLECTION- BASIS OF DESIGN ASTM F 1700, Class III, Type B embossed surface, Install over 1/2" Luan or Poplar Plywood, sanded face, Type 1/ Exterior grade underlayment, installed per manuf recommendations



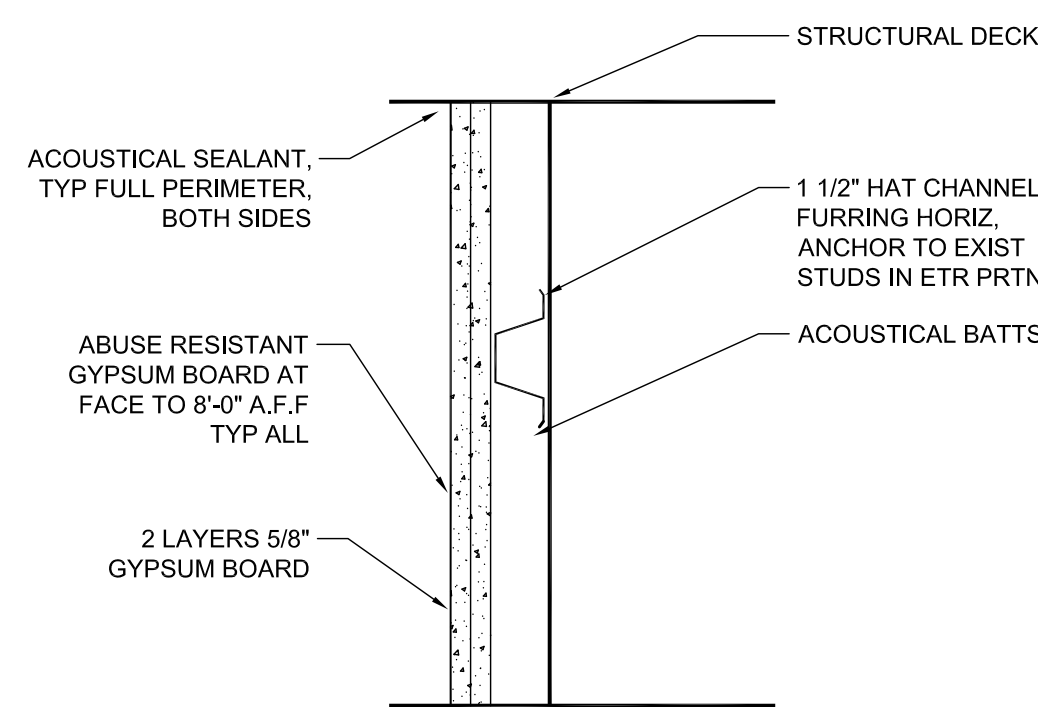
MS-G-1 Partition Type

RATING: 0 HOUR RATING
 METAL STUDS: 22 GA, G90 COATED, 3 5/8" WIDTH
 FULL HT PARTITION SPANNING FROM DECK TO UNDERSIDE OF DECK/ STRUCTURE, COPE AND SEAL AROUND STRUCTURE



MS-G-2 Partition Type

RATING: 0 HOUR RATING
 METAL STUDS: 22 GA, G90 COATED, 6" WIDTH
 FULL HT PARTITION SPANNING FROM DECK TO UNDERSIDE OF DECK/ STRUCTURE, COPE AND SEAL AROUND STRUCTURE



F-G-1 Partition Type

RATING: 0 HOUR RATING
 METAL FURRING HAT CHANNELS: 22 GA, G90 COATED, 1 1/2" DEPTH
 FULL HT PARTITION SPANNING FROM DECK TO UNDERSIDE OF DECK/ STRUCTURE, COPE AND SEAL AROUND STRUCTURE